

Multiplying and dividing by 10 and 100

To achieve 100 you need to:

- ★ multiply and divide whole numbers and decimal numbers with up to two decimal places by 10 or 100.

1 Fill in the missing numbers.

i) $235 \times 100 = \boxed{}$ ii) $745 \div \boxed{} = 7.45$

iii) $\boxed{} \times 100 = 99$

(1 mark)

2 Draw lines to match each calculation with the correct answer.

456×100 45

$45.6 \div 10$ 0.456

0.45×100 4.56

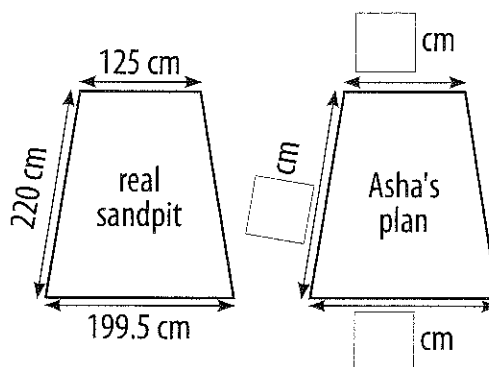
$4.56 \div 10$ 45,600

(1 mark)

3 Asha draws a plan of her new sandpit.

A length of 100 cm on the real sandpit is drawn as 10 cm on her plan.

Fill in the missing dimensions on Asha's plan.



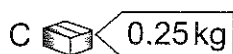
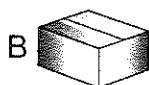
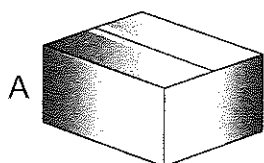
(2 marks)

4 Use the clues to find the mass of the other parcels.

- Parcel C is **100 times lighter** than parcel A.
- Parcel A is **10 times heavier** than parcel B.

Parcel A is kg and parcel B is kg.

(1 mark)



- Read the question carefully and decide which operation you need to use.

Total for this page